

1

2

3

4

5

6



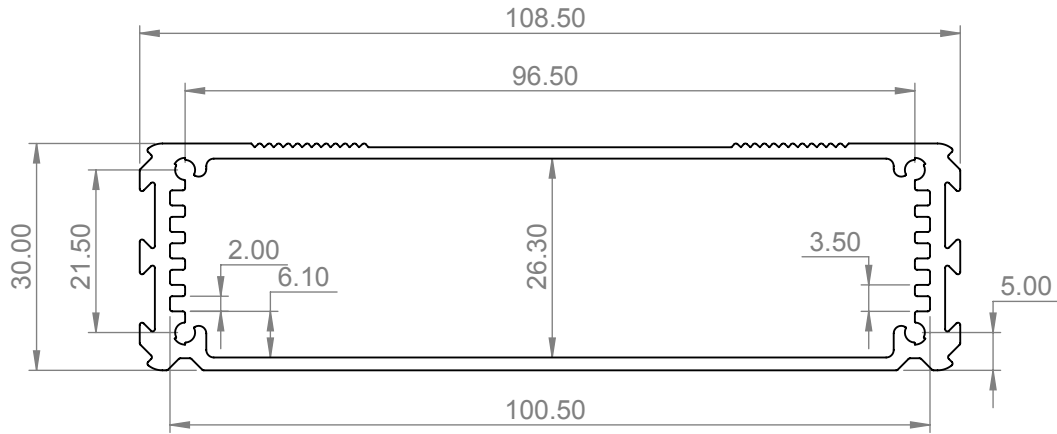
DIMENSIONS ARE IN MILLIMETERS

A

B

C

D



A

ISSUE	CHANGE	DATE

DRAWN BY		MATERIAL:		FINISH:		GENERAL WORKING TOLERANCE:		TITLE:		DWG NO.	
MANUFACTURED						± 0.1mm					

Lincoln Binns Ltd
TEL: 01403 865486

THIS DRAWING IS THE PROPERTY OF LINCOLN BINNS LTD. IT IS PRIVATE AND CONFIDENTIAL AND IS SUPPLIED ON THE EXPRESS CONDITION THAT IT IS NOT USED FOR ANY PURPOSE OR COPIED OR COMMUNICATED TO ANY OTHER PARTY WITHOUT THE WRITTEN CONSENT OF LINCOLN BINNS LTD.