



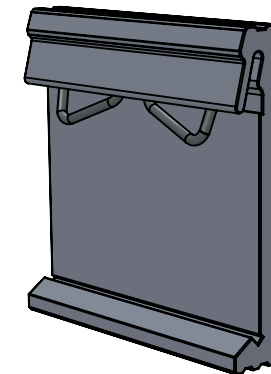
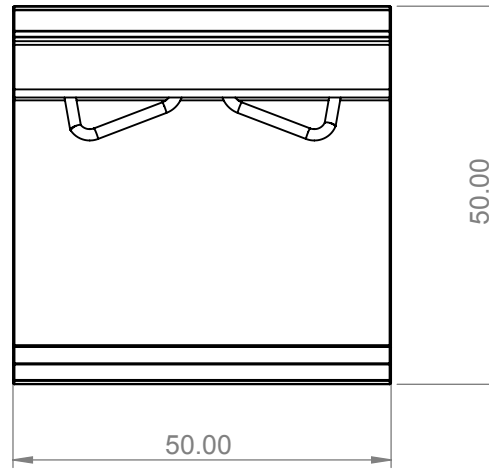
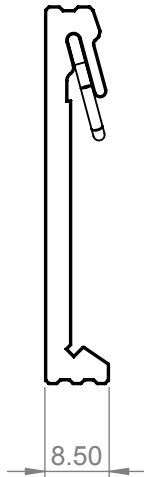
DIMENSIONS ARE  
IN MILLIMETERS

A

B

C

D



A

A		FIRST RELEASE		26/09/2019	
ISSUE		CHANGE		DATE	
DRAWN BY	IRH	26/09/2019	MATERIAL:		
MANUFACTURED		Bought In		Body - Aluminium Spring - Steel	

FINISH:

Silver Anodised

GENERAL WORKING TOLERANCE:

± 0.1mm

TITLE:

Silver DIN Rail clip

DWG NO.

SIZE

**A4**