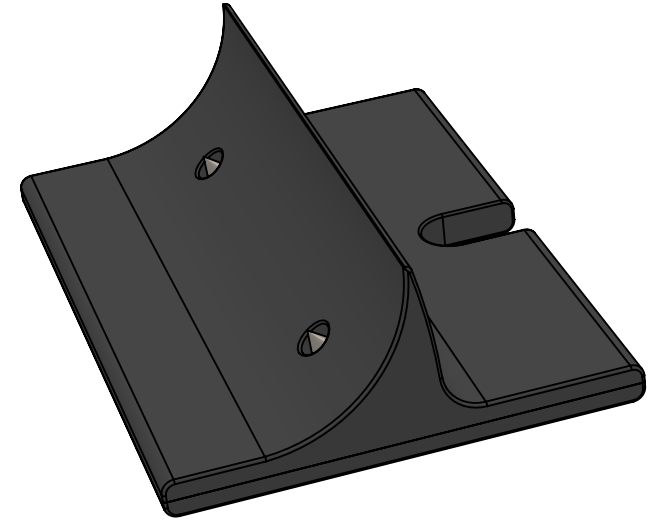
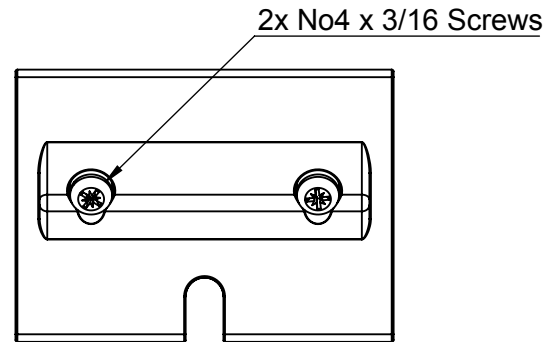
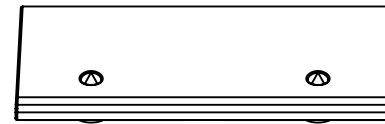
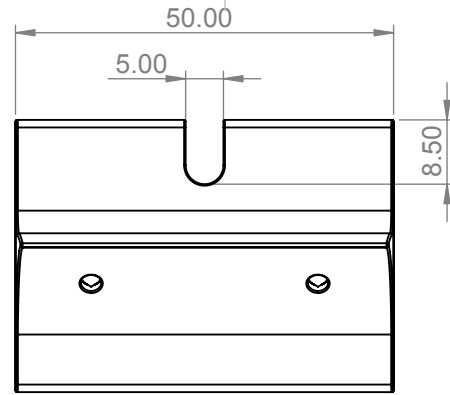
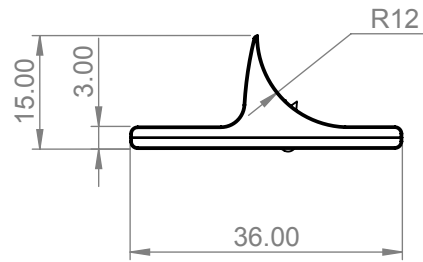




DIMENSIONS ARE  
IN MILLIMETERS



A

A		FIRST RELEASE		24/09/2019
ISSUE	CHANGE		DATE	
DRAWN BY	IRH	24/09/2019	MATERIAL:	
MANUFACTURED		Bought In	ABS	

FINISH:

Black

GENERAL WORKING TOLERANCE:

± 0.2mm

TITLE:

UBL50

DWG NO.

SIZE

**A4**