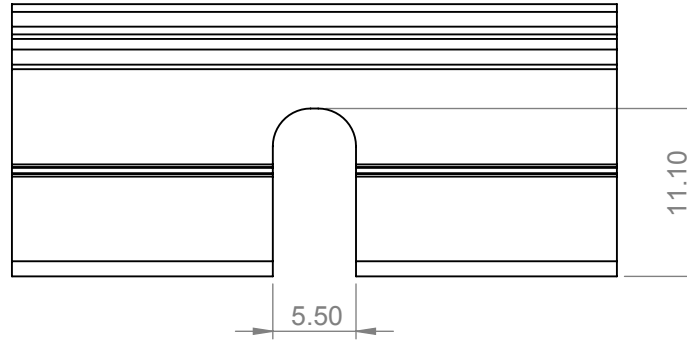


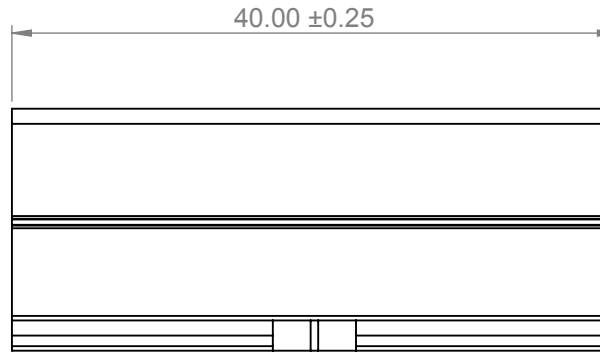


DIMENSIONS ARE  
IN MILLIMETERS

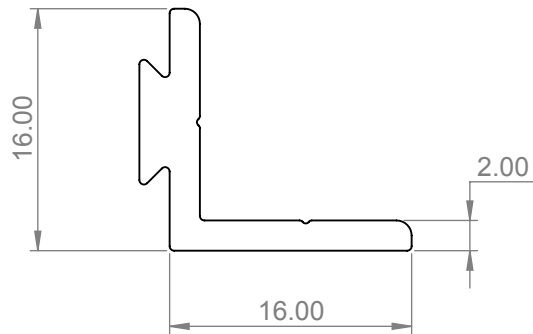
A



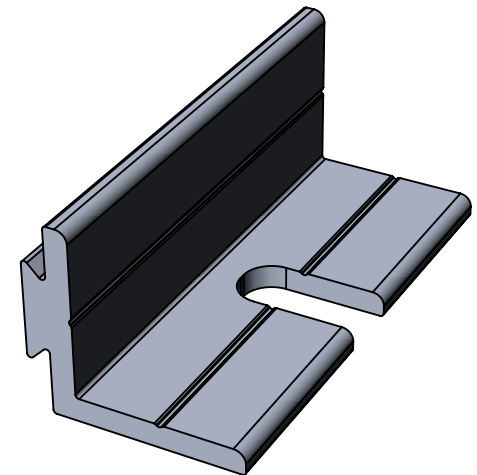
B



C



A



D

A		FIRST RELEASE		24/09/2019
ISSUE	CHANGE		DATE	
DRAWN BY	IRH	24/09/2019	MATERIAL:	FINISH:
MANUFACTURED	In House		6063-T6	Silver Anodised

FINISH:

Silver Anodised

GENERAL WORKING TOLERANCE:

± 0.2mm

TITLE:

LSS40

DWG NO.

SIZE

**A4**