



DIMENSIONS ARE
IN MILLIMETERS

A

B

C

5.50

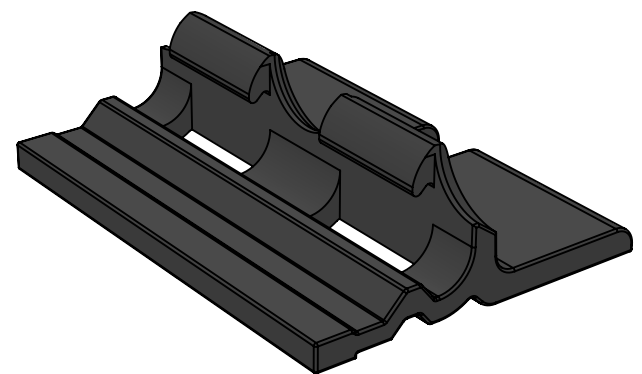
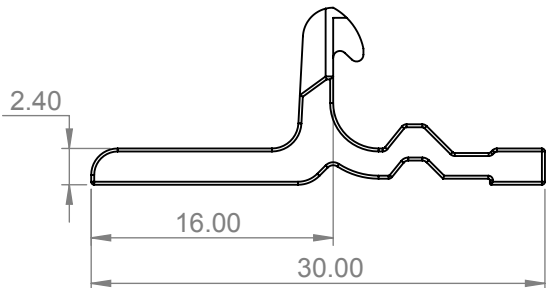
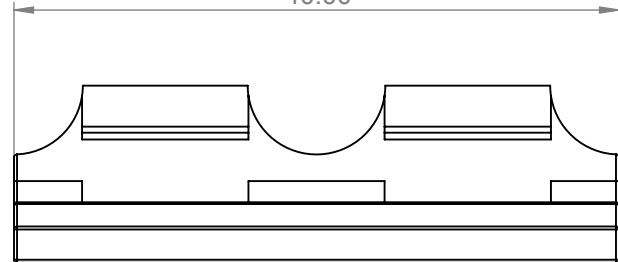
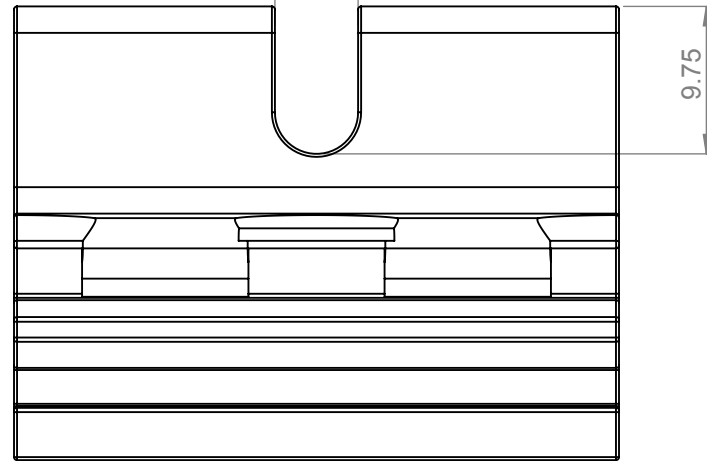
9.75

40.00

2.40

16.00

30.00



A

A		FIRST RELEASE		24/09/2019
D		ISSUE	CHANGE	DATE
DRAWN BY	IRH	24/09/2019	MATERIAL:	
MANUFACTURED		Bought In	ABS	
FINISH:		Black Anodised		

GENERAL WORKING TOLERANCE:		± 0.2mm	
TITLE:		COB40	
DWG NO.			
SIZE		A4	