

1

2

3

4

5

6



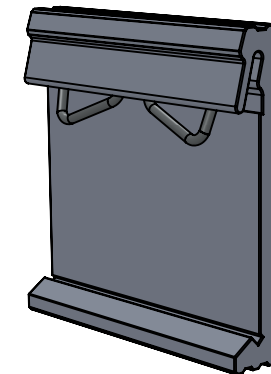
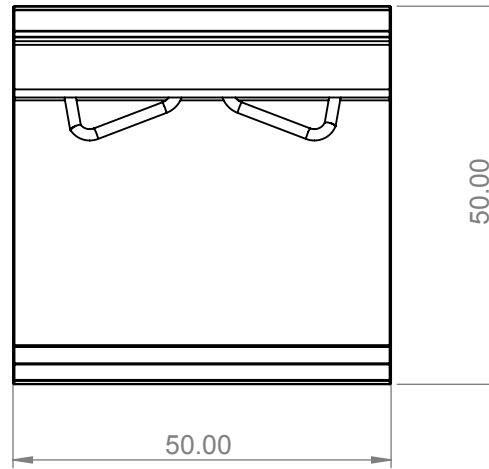
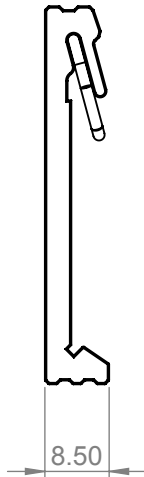
DIMENSIONS ARE IN MILLIMETERS

A

B

C

D



A

A	FIRST RELEASE	26/09/2019
ISSUE	CHANGE	DATE

DRAWN BY	IRH	26/09/2019	MATERIAL:	FINISH:	GENERAL WORKING TOLERANCE:	TITLE:	DWG NO.	SIZE
MANUFACTURED	Bought In		Body - Aluminium Spring - Steel	Silver Anodised	± 0.1mm	Silver DIN Rail clip		A4