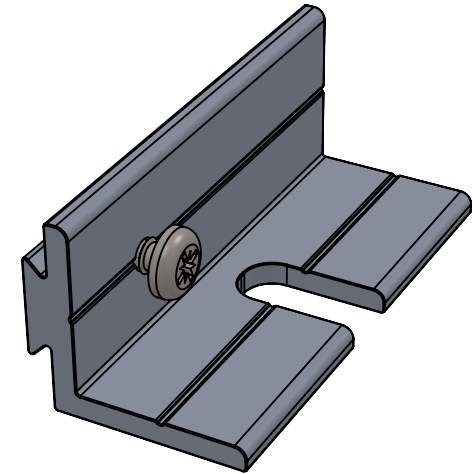
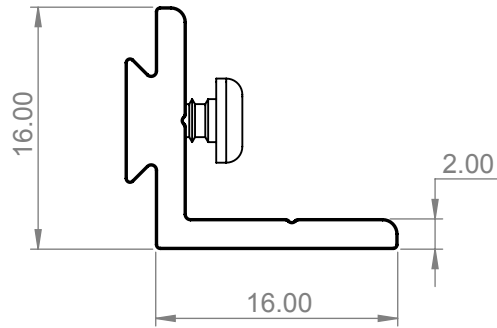
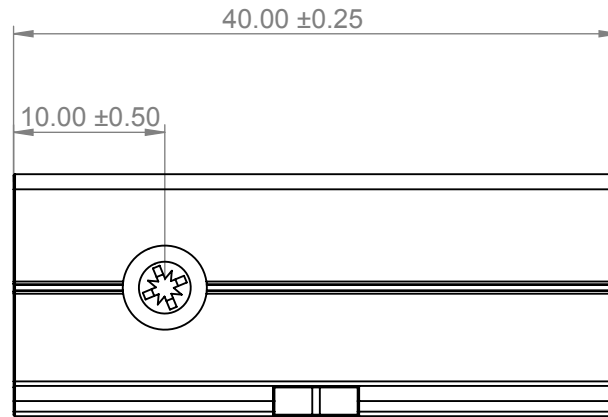
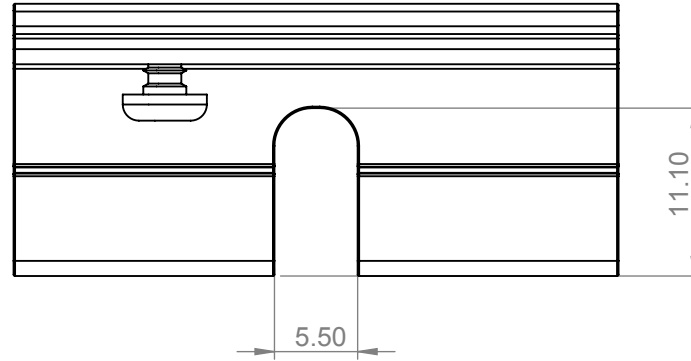




DIMENSIONS ARE  
IN MILLIMETERS



A		FIRST RELEASE		30/06/2016
D		ISSUE	CHANGE	DATE
DRAWN BY	IRH	30/06/2016	MATERIAL:	
MANUFACTURED	In House	Lincoln Binns LSS40		

FINISH:

Silver Anodised

GENERAL WORKING TOLERANCE:

± 0.2mm

TITLE:

MTS40 Lug assembly

DWG NO.

SIZE

**A4**