

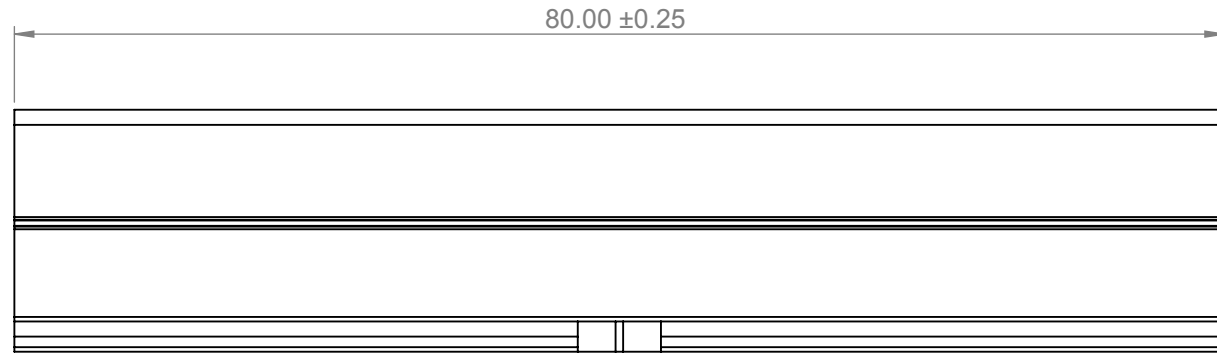
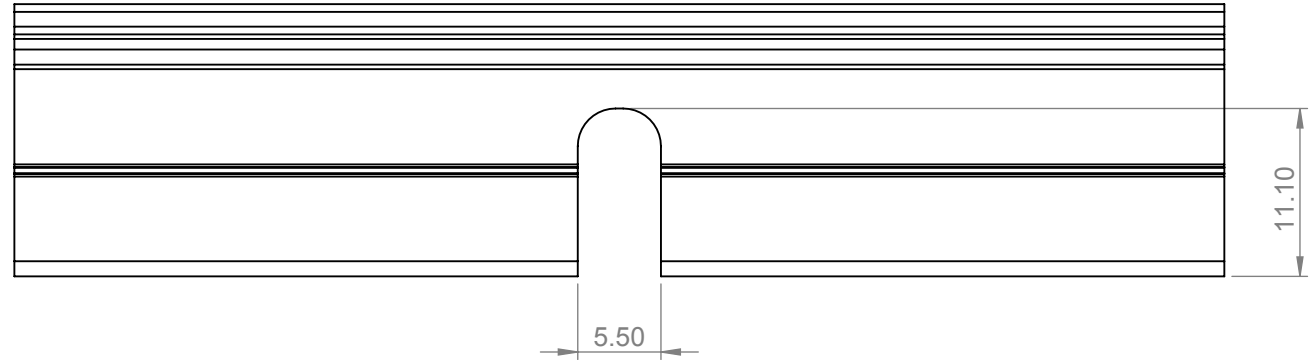
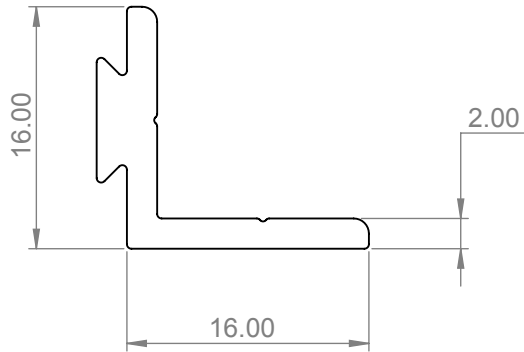


DIMENSIONS ARE  
IN MILLIMETERS

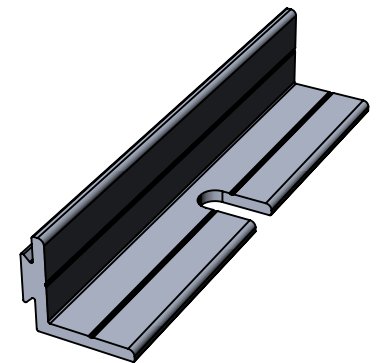
A

B

C



A



A		FIRST RELEASE		24/09/2019	
D		ISSUE		CHANGE	
		DRAWN BY		DATE	
		IRH		24/09/2019	
		MANUFACTURED		In House	
		MATERIAL:		6063-T6	
		FINISH:		Silver Anodised	
		GENERAL WORKING TOLERANCE:		± 0.2mm	
		TITLE:		LSS80	
		DWG NO.			

Lincoln Binns Ltd  
TEL: 01403 865486

THIS DRAWING IS THE PROPERTY OF LINCOLN BINNS LTD. IT IS PRIVATE AND CONFIDENTIAL AND IS SUPPLIED ON THE EXPRESS CONDITION THAT IT IS NOT USED FOR ANY PURPOSE OR COPIED OR COMMUNICATED TO ANY OTHER PARTY WITHOUT THE WRITTEN CONSENT OF LINCOLN BINNS LTD.

SIZE  
**A4**