



DIMENSIONS ARE
IN MILLIMETERS

A

B

C

1

2

3

4

5

6

5.50

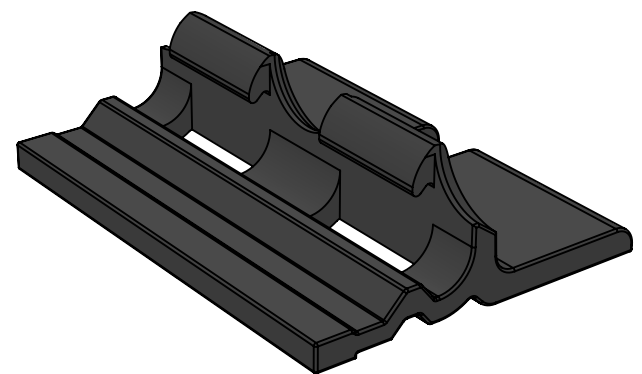
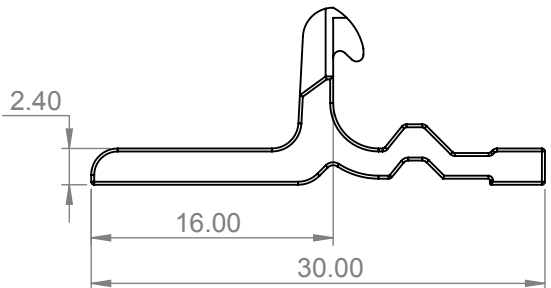
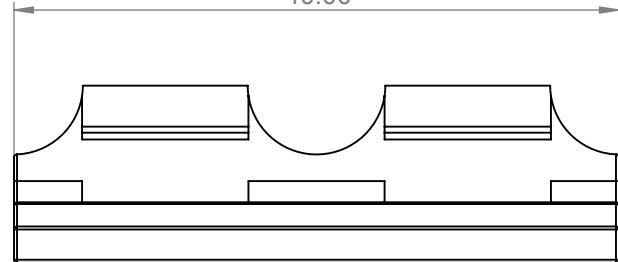
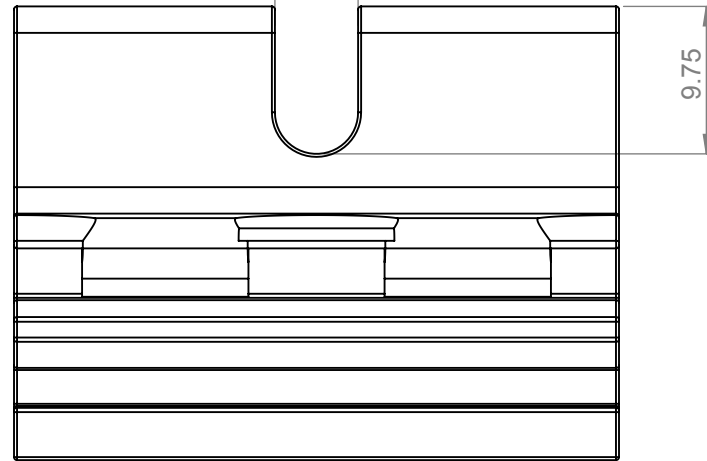
9.75

40.00

2.40

16.00

30.00



A

A		FIRST RELEASE		24/09/2019	
D		CHANGE		DATE	
DRAWN BY		IRH	24/09/2019	MATERIAL:	
MANUFACTURED		Bought In	ABS	FINISH:	
				Black Anodised	

GENERAL WORKING TOLERANCE:		TITLE:		DWG NO.	
± 0.2mm		COB40			
SIZE				A4	