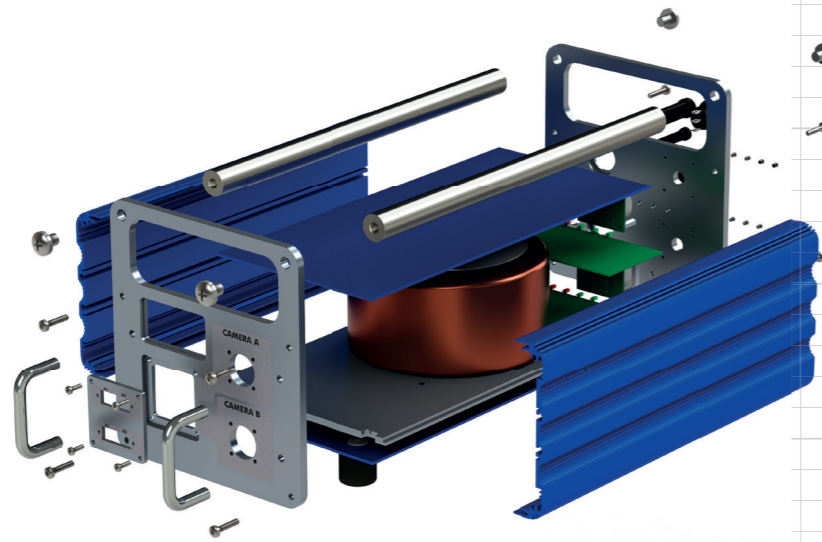


U-Case 1 & UnioBox Customisation



Extrusion Modifications:

- Custom length - min 30mm
- Colour anodise - silver, black, red, blue
- Conductive coatings - NCP or SurTec 650
- Powder coat - fine texture
- CNC machining - holes, slots
- Digital print - single or full colour
- Laser marking of text or logo

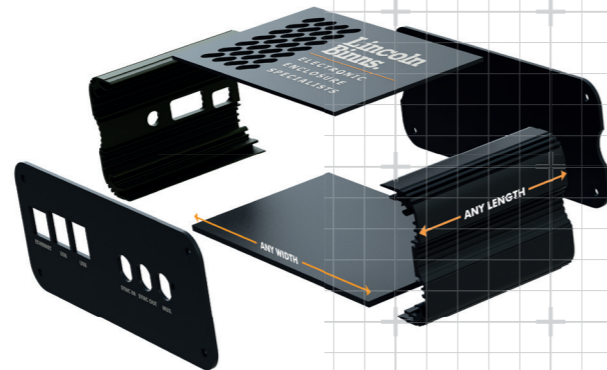
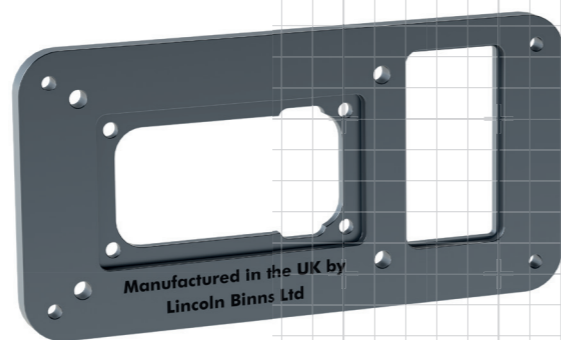


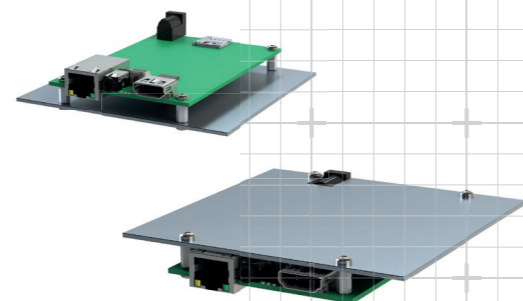
Plate Modifications:

- End plate thickness - 1.5mm standard or up to 10mm
- Oversize end plate can be manufactured
- Top and bottom plate thickness - 2mm standard, 3mm optional
- Brushing (graining) - standard on 3mm and above
- Colour anodise - silver, black, red, blue
- Conductive coatings - SurTec 650
- Powder coat - fine texture
- CNC machining - holes, slots, recesses
- Countersink & counterbore holes
- CNC punch - holes, slots and vent patterns
- Laser marking of text or logo
- Digital print - single or full colour
- Inserts - studs, bushes & nuts



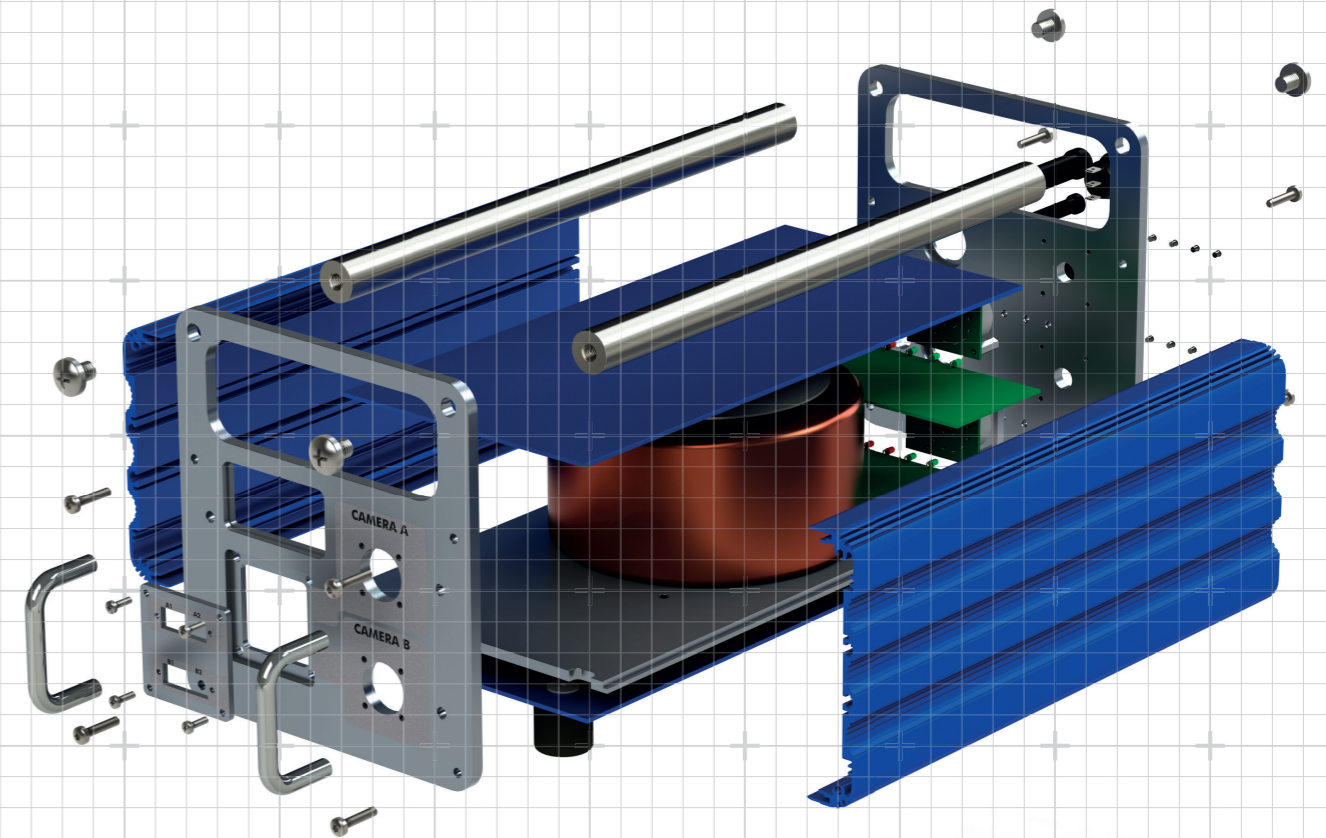
Carrier Plate Modifications

- CNC machining - holes, slots or cut-outs for components
- Digital print - assembly instructions
- Inserts - studs, bushes and nuts



Contact us:
+44 (0)1403 860900
info@lincolnbins.com
www.lincolnbins.com

U-Case 1 & UnioBox Range



U-Case 1 & UnioBox Range

- 6-piece enclosure kit
- Available in 4 sizes
- Pre-anodised Silver as standard
- Custom width & length upon request

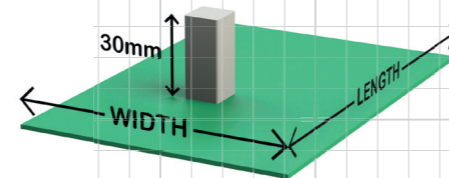
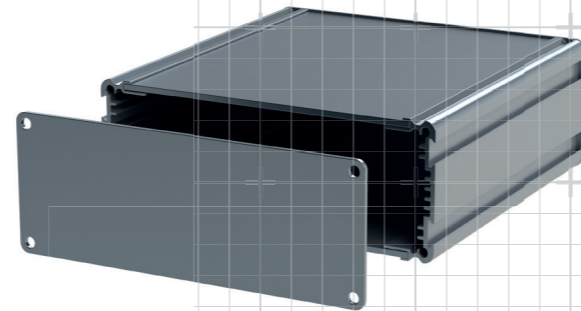
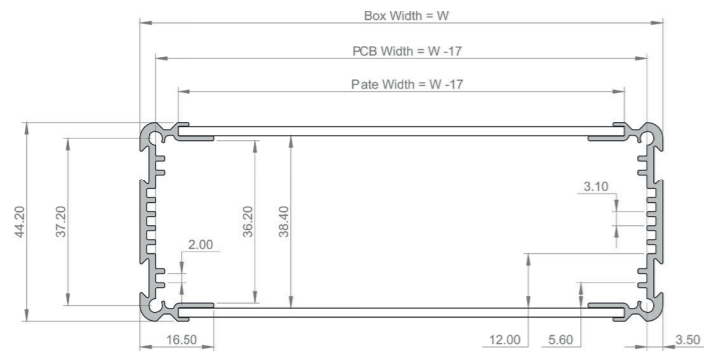
U-Case 1 & UnioBox Range

The U-Case and UnioBox range is a 6-piece enclosure kit that is available in four heights to suit any width PCB, supplied in pre-anodised silver.



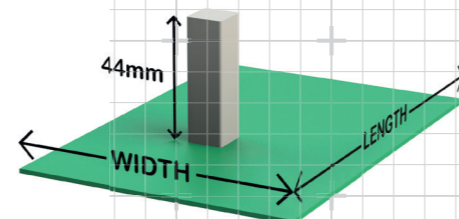
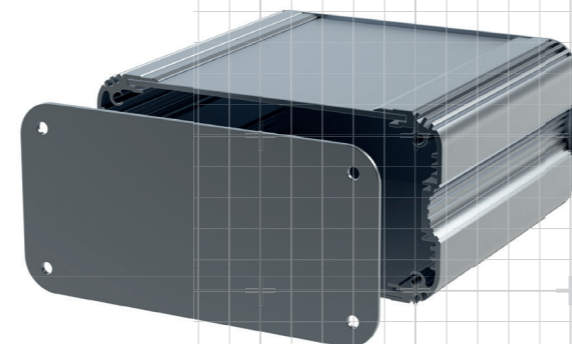
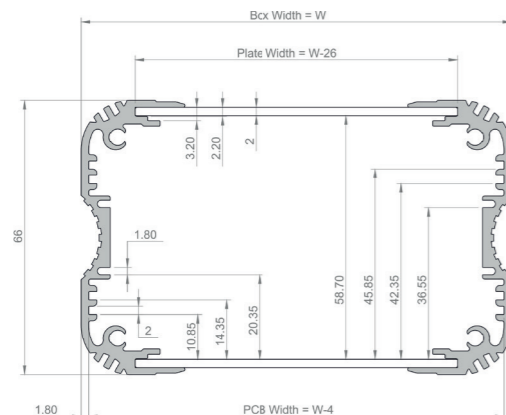
U-Case 1

- 1U (44.2mm) tall side extrusion
- 6-piece enclosure kit
- Pre-anodised silver
- Available in set sizes
- To suit 100, 128, 160 & 220mm wide boards
- In 80, 120, 160 & 220mm lengths



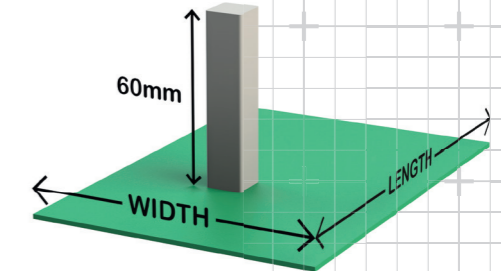
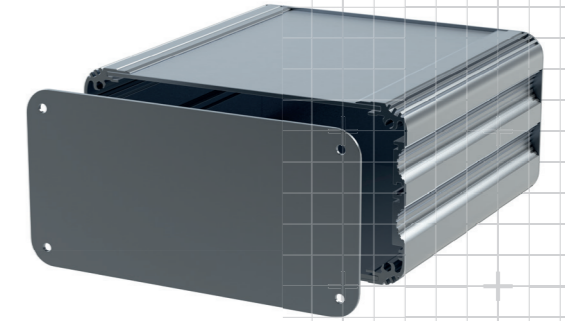
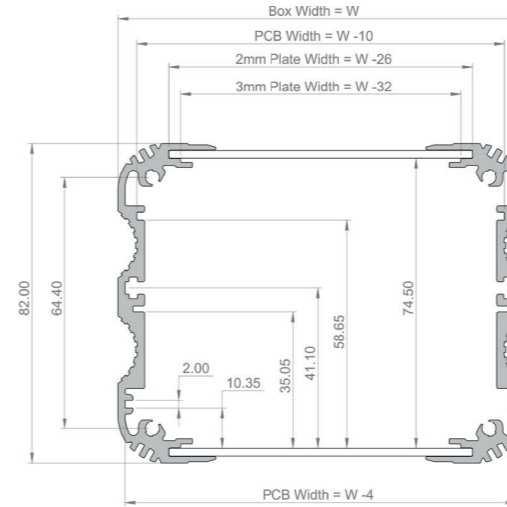
UnioBox 66

- 1½U (66mm) tall extrusion
- 6-piece enclosure kit
- Pre-anodised silver
- Available in set sizes
- To suit 100, 128, 160 and 220mm wide boards
- In 80, 120, 160 and 220mm lengths



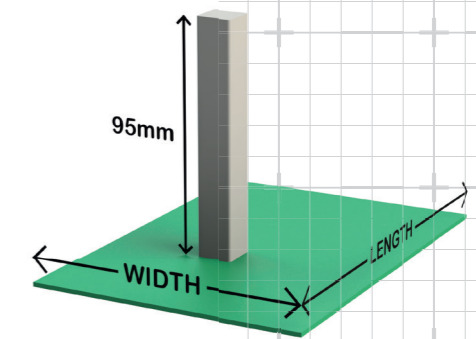
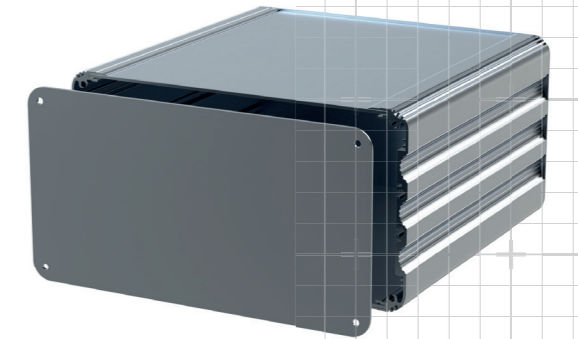
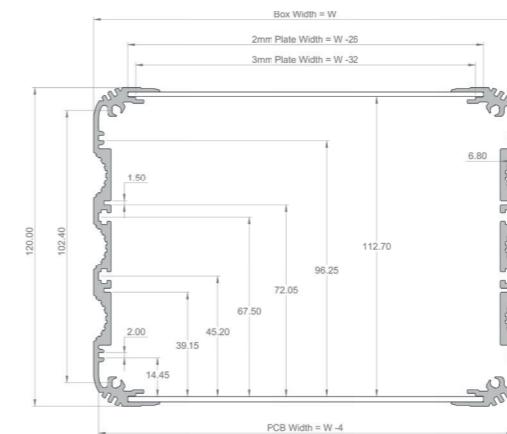
UnioBox 2

- 2U (82mm) tall extrusion
- 6-piece enclosure kit
- Pre-anodised silver
- Available in set sizes
- To suit 100, 128, 160 and 220mm wide boards
- In 80, 120, 160 and 220mm length



UnioBox 3

- 3U (120mm) tall extrusion
- 6-piece enclosure kit
- Pre-anodised silver
- Available in set sizes
- To suit 100, 128, 160 and 220mm wide boards
- In 80, 120, 160 and 220mm lengths



Accessories

For U-Case		For Both	For UnioBox