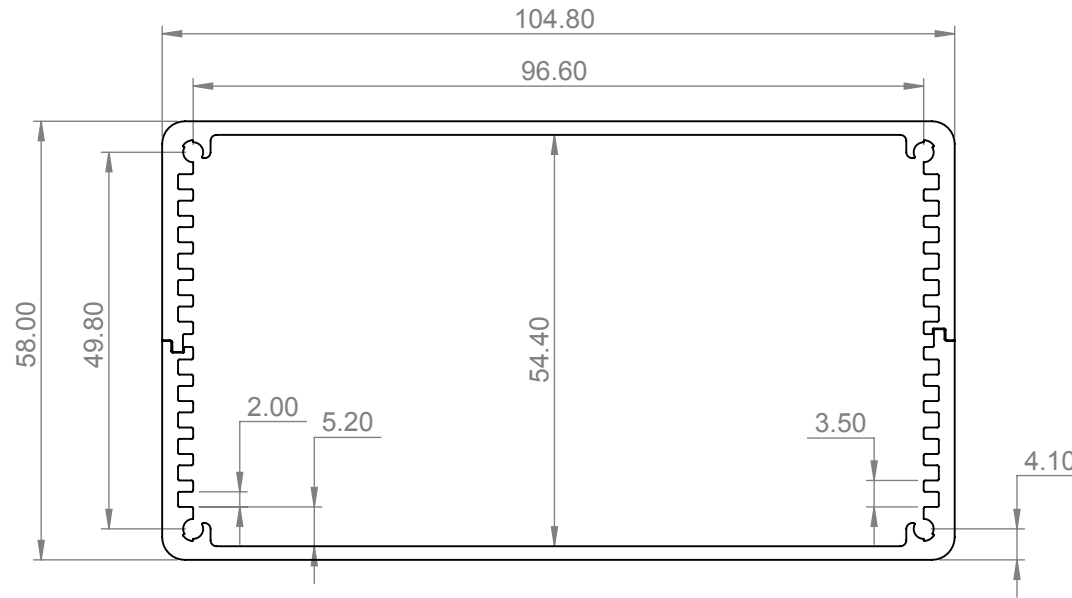




DIMENSIONS ARE  
IN MILLIMETERS



A

B

C

A

A	FIRST RELEASE	29/01/2020
ISSUE	CHANGE	DATE

DRAWN BY	IRH	MATERIAL:	FINISH:	GENERAL WORKING TOLERANCE:	TITLE:	DWG NO.	SIZE
MANUFACTURED	In House	Material <not specified>	Silver Anodised	± 0.1mm	CC 29 + 29 Dims		<b>A4</b>

Lincoln Binns Ltd  
TEL: 01403 865486

THIS DRAWING IS THE PROPERTY OF LINCOLN BINNS LTD. IT IS PRIVATE AND CONFIDENTIAL AND IS SUPPLIED ON THE EXPRESS CONDITION THAT IT IS NOT USED FOR ANY PURPOSE OR COPIED OR COMMUNICATED TO ANY OTHER PARTY WITHOUT THE WRITTEN CONSENT OF LINCOLN BINNS LTD.